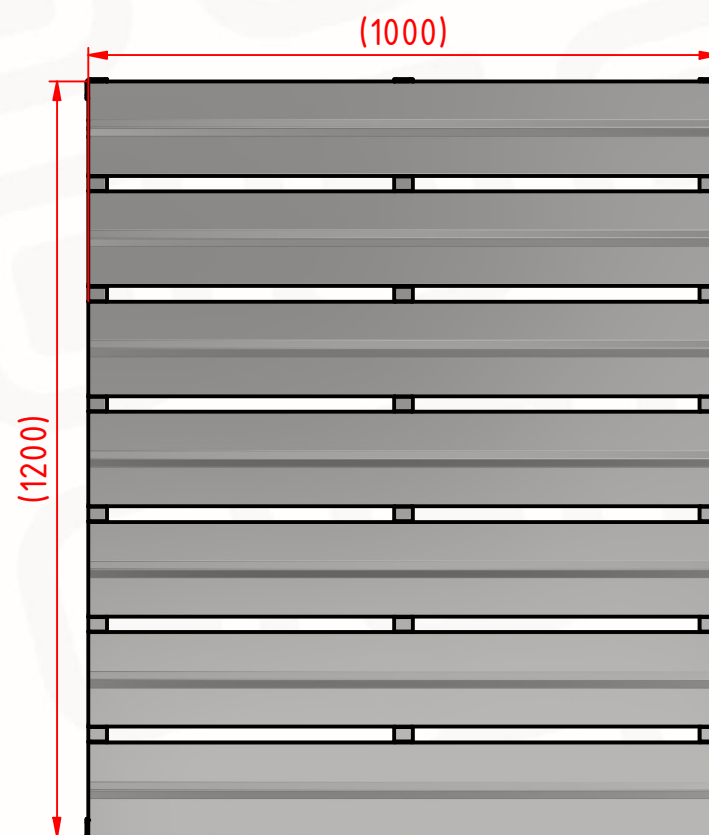
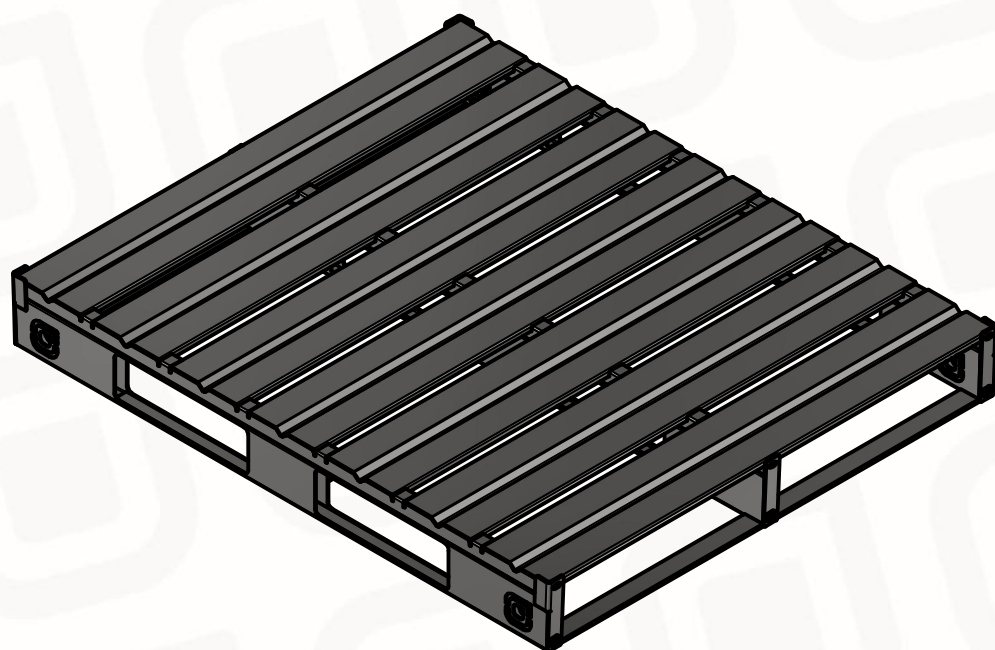
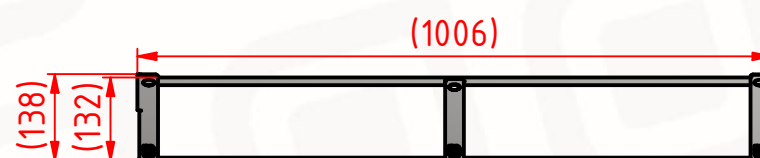
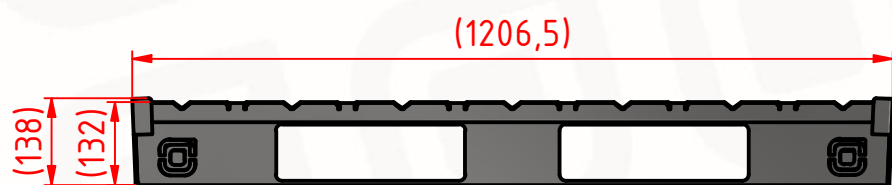


TECHNICAL SPECIFICATION SHEET:
UNIPAS - S PALLET - GB


DESCRIPTION:		Pallet made of S 235 structural steel, welded, hot dip galvanized
EXTERNAL DIMENSIONS:	(W1000xL1200xH132mm)	KEY FEATURES:
EMPTY WEIGHT:	43,5 kg	<ul style="list-style-type: none"> -4-WAY ENTRY DESIGN,HIGH LOAD CAPACITY -GREAT STABILITY AND STACKABILITY-CORNER STOPS -RESILIENCE AND ROBUSTNESS-EXTRA DURABLE -100% RESISTANCE TO CORROSION AND ATMOSPHERIC AGENTS -EASY TO STERILIZE-NO MOLDS,NO VERMIN,NO CONTAMINATION -FULL FIRE RESISTANCE -FULL RECYCLABILITY
DYNAMIC LOAD:	2500 kg *	
STATIC LOAD:	7500 kg *	
STANDARD COLOR:	UNIFORM SOFT GRAY	
MATERIAL:	S 235 STEEL,HOT DIP GALVANIZED	
WORKING TEMPERATURE:	-40+80°C	
STANDARD TRAILER:	546 units	FIELDS OF APPLICATION:
MEGA TRAILER:	572 units	CHEMICAL INDUSTRY- HARSH ENVIRONMENTS AND SAFE USE IN CHEMICAL PRODUCTION & STORAGE
20 GP:	170 units	FOOD TRANSPORT AND HANDLING- EASY TO CLEAN AND STERILIZE,NO CONTAMINATION
40 GP:	357 units	HEAVY CONSTRUCTS- EXCELLENT FOR LARGE AND HEAVY ITEMS
40 HC:	416 units	LONG-TERM OUTDOOR STORAGE- WEATER RESISTANCE,NO DEGRADATION

DISCLAIMER:

*** Subjected to internal Unipas statical and dynamical testing.
 The suitability of application is to be consulted with Unipas.
 Specifications subject to change without further notice.
 All dimensions approximate.**

