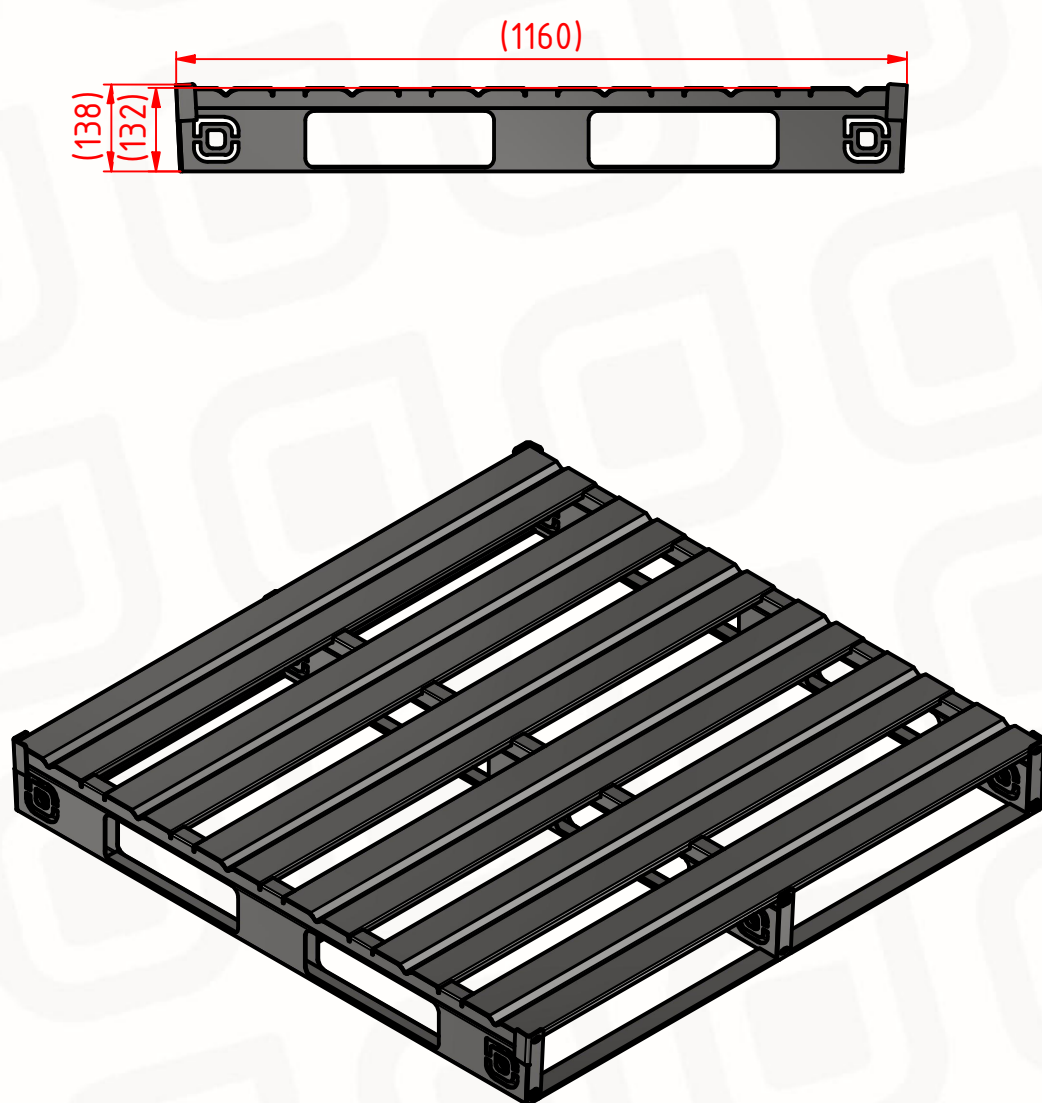


TECHNICAL SPECIFICATION SHEET:
UNIPAS - S PALLET - AUS


DESCRIPTION:		Pallet made of S 235 structural steel, welded, hot dip galvanized
EXTERNAL DIMENSIONS:	(W1152xL1154xH132mm)	KEY FEATURES:
EMPTY WEIGHT:	45 kg	<ul style="list-style-type: none"> -4-WAY ENTRY DESIGN,HIGH LOAD CAPACITY -GREAT STABILITY AND STACKABILITY-CORNER STOPS -RESILIENCE AND ROBUSTNESS-EXTRA DURABLE -100% RESISTANCE TO CORROSION AND ATMOSPHERIC AGENTS -EASY TO STERILIZE-NO MOLDS,NO VERMIN,NO CONTAMINATION -FULL FIRE RESISTANCE -FULL RECYCLABILITY
DYNAMIC LOAD:	2500 kg *	
STATIC LOAD:	7500 kg *	
STANDARD COLOR:	UNIFORM SOFT GRAY	
MATERIAL:	S 235 STEEL,HOT DIP GALVANIZED	
WORKING TEMPERATURE:	-40+80°C	FIELDS OF APPLICATION:
STANDARD TRAILER:	462 units	CHEMICAL INDUSTRY- HARSH ENVIRONMENTS AND SAFE USE IN CHEMICAL PRODUCTION & STORAGE
MEGA TRAILER:	484 units	FOOD TRANSPORT AND HANDLING- EASY TO CLEAN AND STERILIZE,NO CONTAMINATION
20 GP:	170 units	HEAVY CONSTRUCTS- EXCELLENT FOR LARGE AND HEAVY ITEMS
40 GP:	340 units	LONG-TERM OUTDOOR STORAGE- WEATER RESISTANCE,NO DEGRADATION
40 HC:	380 units	

DISCLAIMER:

*** Subjected to internal Unipas statical and dynamical testing.
The suitability of application is to be consulted with Unipas.
Specifications subject to change without further notice.
All dimensions approximate.**

