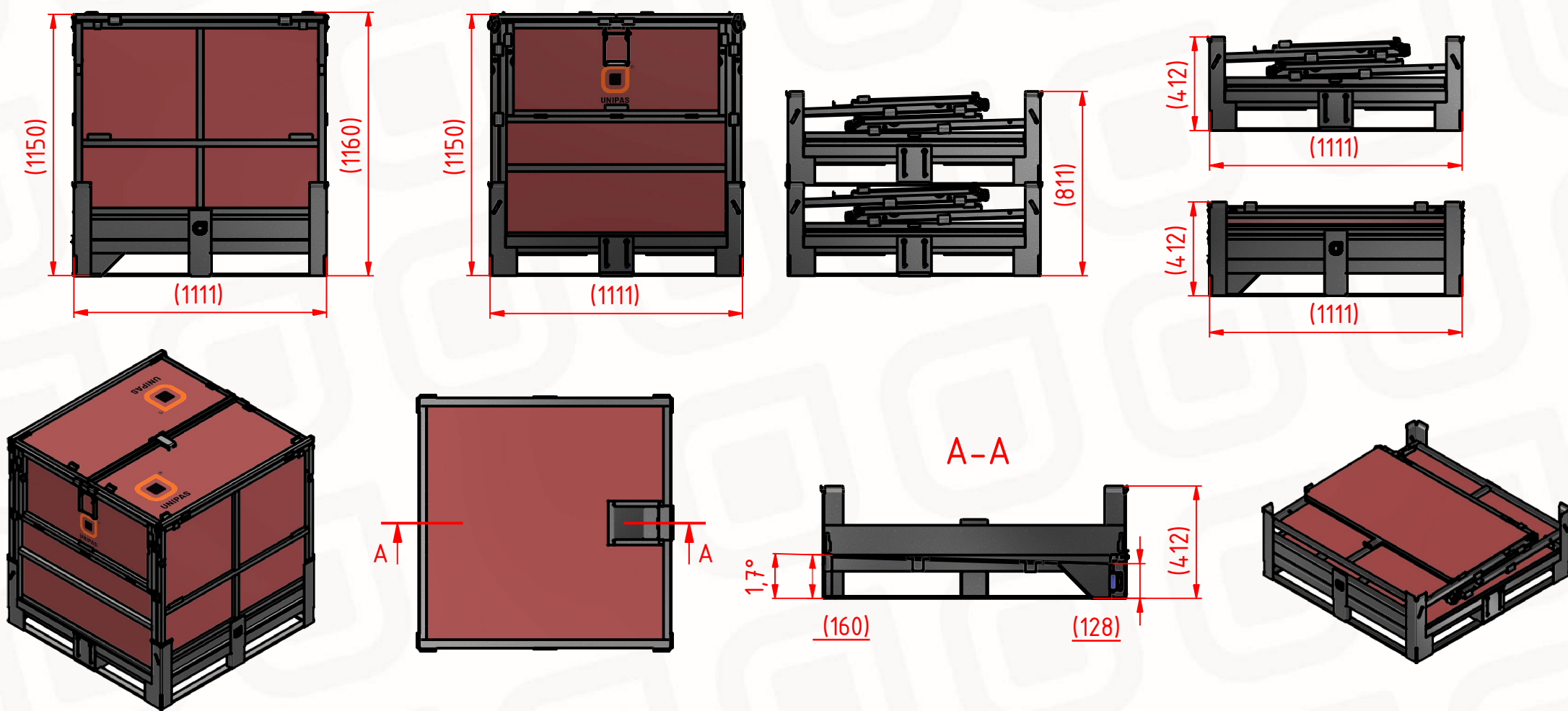
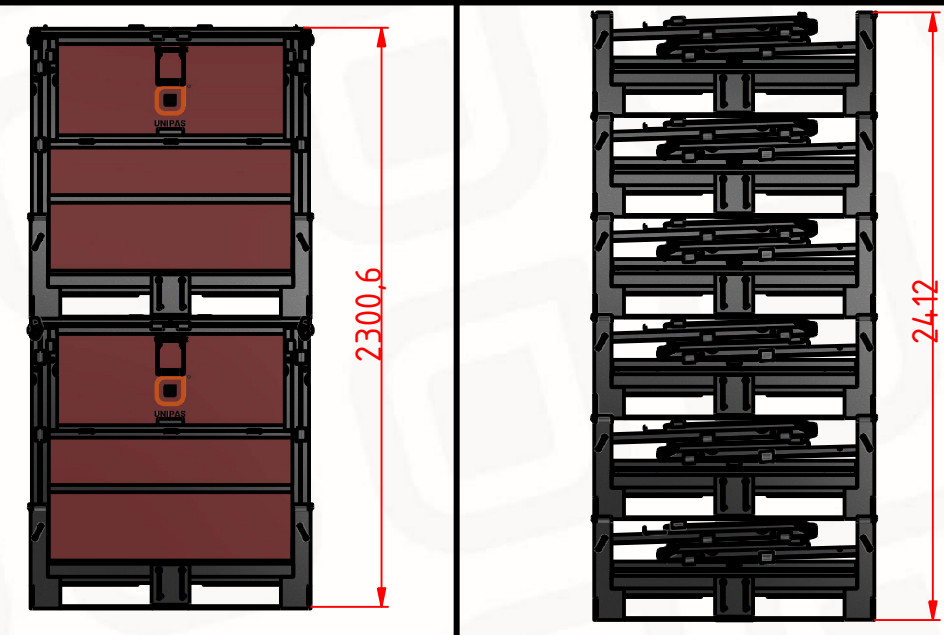


TECHNICAL SPECIFICATION SHEET:

PATENT APPLIED

SBD



DESCRIPTION: FOLDABLE GALVANIZED STEEL IBC WITH POLYPROPYLENE BOARDS FOR LIQUID MATERIAL			
EXTERNAL DIMENSIONS:	(W1111xL1111xH1160mm)	MAX DYNAMIC FULL LOAD UNITS 2PCS	MAX DYNAMIC FOLDED UNITS 6PCS
INTERNAL DIMENSIONS:	(W1030xL1050xH964mm)	WEIGHT: 3082 kg	HEIGHT: 2412 mm
FOLDING HEIGHT:	(412)mm	MAX STATIC FULL LOAD UNITS 5PCS	MAX STATIC FOLDED UNITS 12PCS
LID STACKING HEIGHT:	(1150mm)/(1160mm)	WEIGHT: 7705 kg	HEIGHT: 4812 mm
EMPTY WEIGHT:	141 kg		
VOLUME:	1040 L		
LOAD CAPACITY:	1400 kg		
DYNAMIC LOAD:	3082 kg		
STATIC LOAD:	7705 kg		
RACKING LOAD:	3082 kg		
FOLDING RATIO	1:2,5		
STANDARD COLORS:	ZINC GRAY/GRAY	20 GP:	50 units
MATERIAL:	GALVANIZED STEEL+POLYPROPYLENE	40 GP:	100 units
WORKING TEMPERATURE:	-25+60 °C	40 HC:	120 units
STANDARD TRAILER:	168 units	MEGA TRAILER:	168 units

DISCLAIMER: Capacity is dependent on the application and environment of use.
 The suitability of application is to be consulted with Unipas.
 Specifications subject to change without further notice.
 All dimensions approximate.

