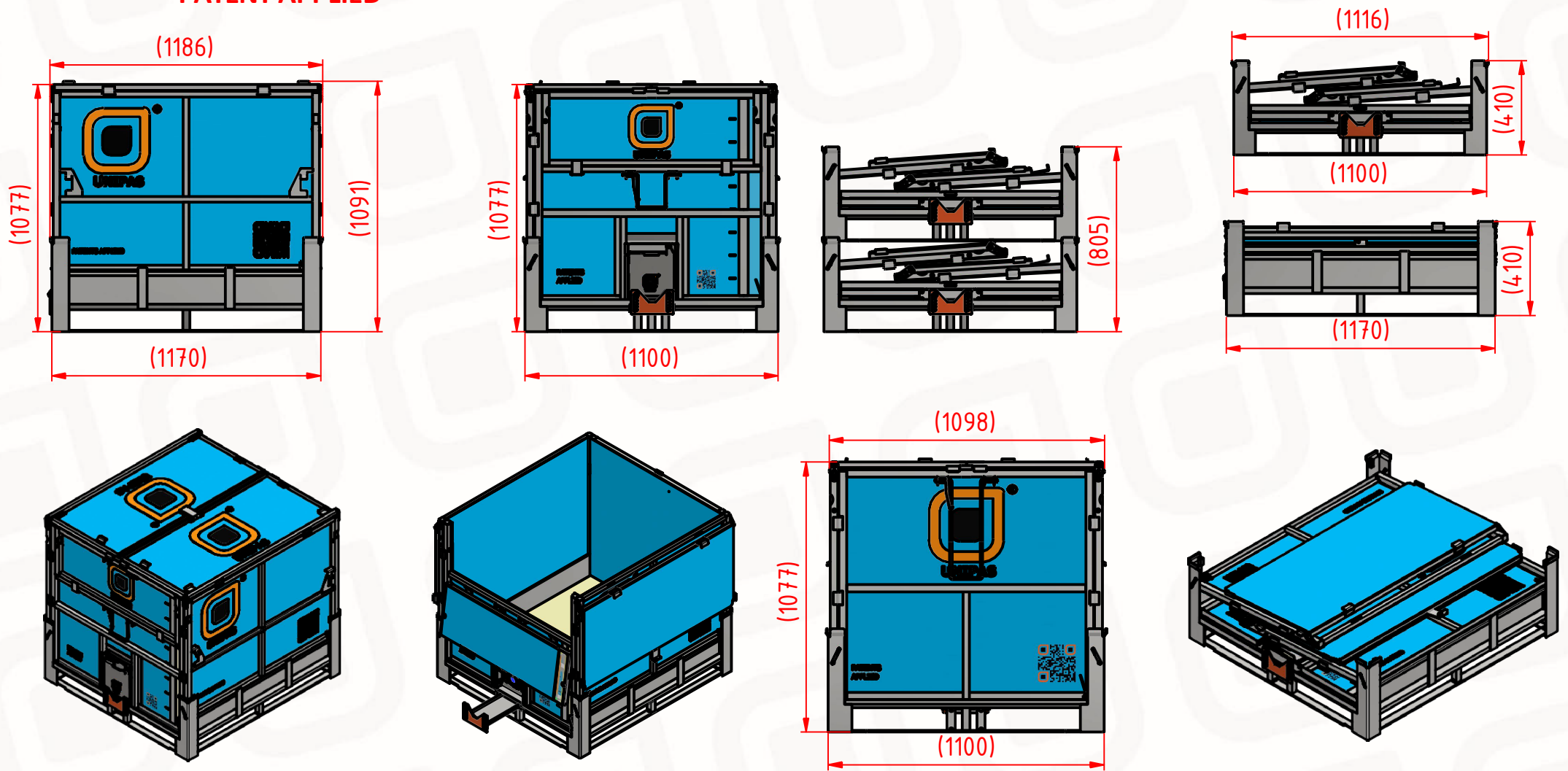
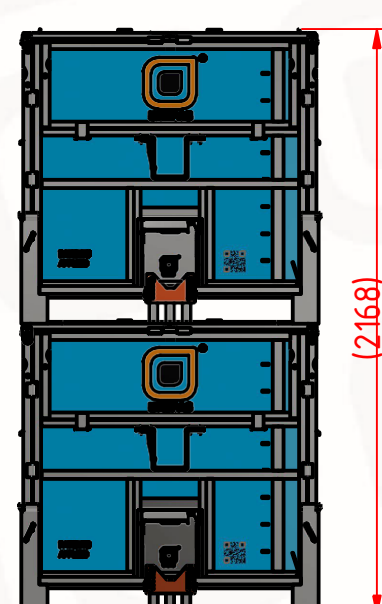
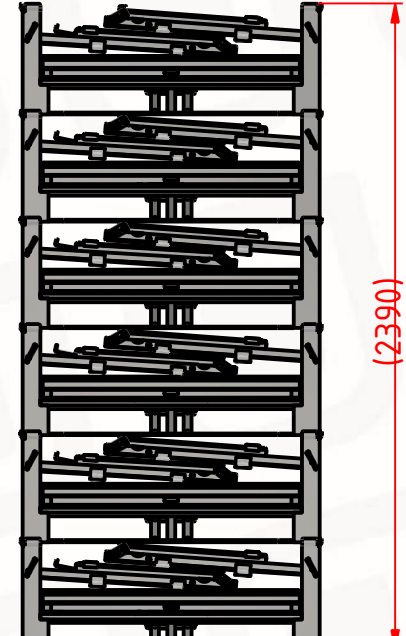


PATENT APPLIED



**DESCRIPTION: FOLDABLE GALVANIZED STEEL IBC WITH POLYPROPYLENE BOARDS FOR LIQUID MATERIAL**

EXTERNAL DIMENSIONS:	<b>(W1170xL1100xH1077mm)</b>	MAX DYNAMIC FULL LOAD UNITS 2PCS	MAX DYNAMIC FOLDED UNITS 6PCS
INTERNAL DIMENSIONS:	<b>(W1025xL1093xH919mm)</b>	WEIGHT: <b>3066 kg</b>	HEIGHT: <b>2390 mm</b>
FOLDING HEIGHT:	<b>(410 mm)</b>	MAX STATIC FULL LOAD UNITS 5PCS	MAX STATIC FOLDED UNITS 12PCS
LID STACKING HEIGHT:	<b>(1077mm) / (1090mm)</b>	WEIGHT: <b>7665 kg</b>	HEIGHT: <b>4766 mm</b>
EMPTY WEIGHT:	<b>133 kg</b>		
VOLUME:	<b>1024 L</b>		
LOAD CAPACITY:	<b>1400 kg</b>		
DYNAMIC LOAD:	<b>3066 kg</b>		
STATIC LOAD:	<b>7665 kg</b>		
RACKING LOAD:	<b>3066 kg</b>		
FOLDING RATIO	<b>1:2,5</b>		
STANDARD COLORS:	<b>ZINC GRAY/GRAY</b>		
MATERIAL:	<b>GALVANIZED STEEL+POLYPROPYLENE</b>	40 GP:	<b>100 units</b>
WORKING TEMPERATURE:	<b>-25+60°C</b>	40 HC:	<b>120 units</b>
STANDARD TRAILER:	<b>144 units</b>	MEGA TRAILER:	<b>168 units</b>

**DISCLAIMER:** Capacity is dependent on the application and environment of use.  
 The suitability of application is to be consulted with Unipas.  
 Specifications subject to change without further notice.  
 All dimensions approximate.

