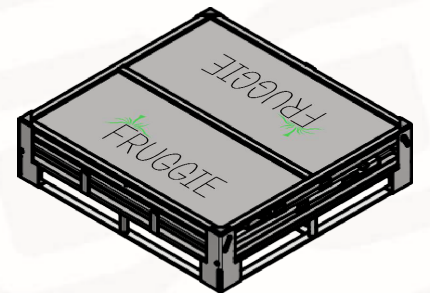
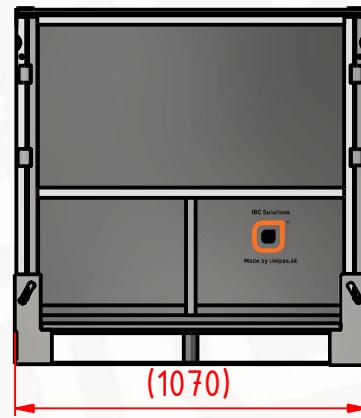
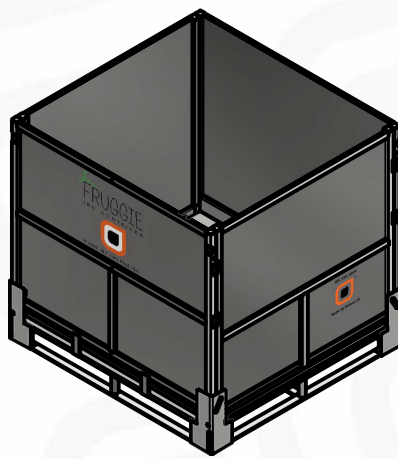
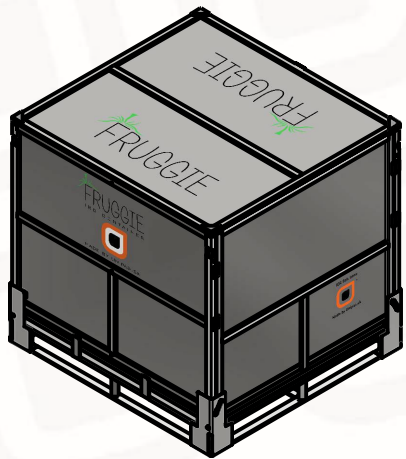
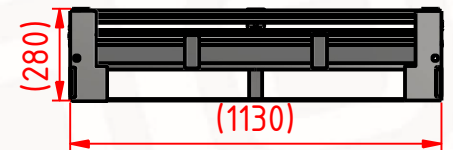
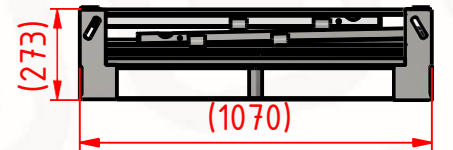
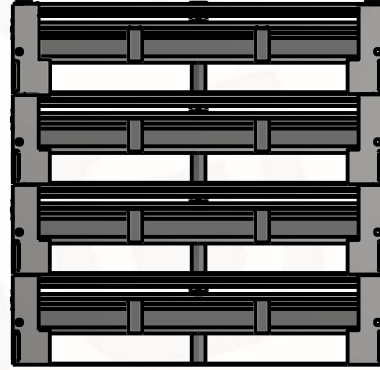
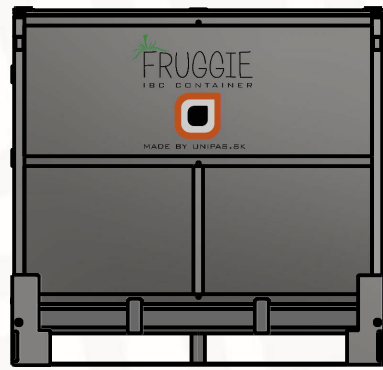
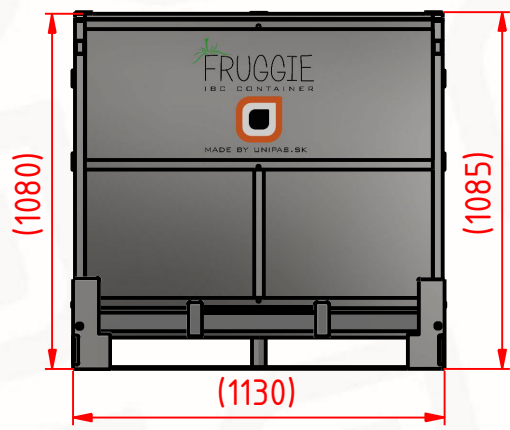
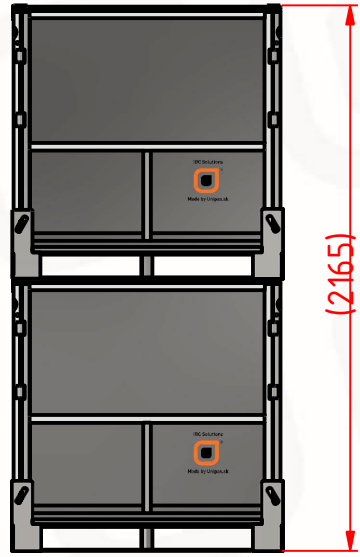
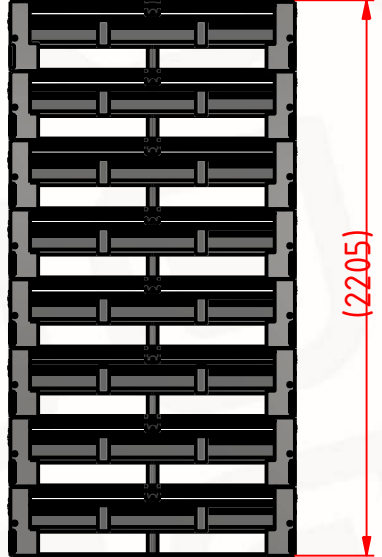


## FRUGGIE by UNIPAS

### TECHNICAL SPECIFICATION SHEET:



DESCRIPTION:		FOLDABLE GALVANIZED STEEL IBC FOR FLUID AND DRY SOLUTION	
EXTERNAL DIMENSIONS:	(W1070xL1130xH1085mm)	MAX DYNAMIC FULL LOAD UNITS 2PCS	MAX DYNAMIC FOLDED UNITS 8PCS
INTERNAL DIMENSIONS:	(W1026xL1084xH945mm)	WEIGHT: 3052 kg	HEIGHT: 2205 mm
FOLDING HEIGHT:	(273mm)	MAX STATIC FULL LOAD UNITS 4PCS	MAX STATIC FOLDED UNITS 16PCS
LID STACKING HEIGHT:	(1080mm) / (1085mm)	WEIGHT: 6104 kg	HEIGHT: 4405 mm
EMPTY WEIGHT:	126 kg		
VOLUME:	1050 L		
LOAD CAPACITY:	1400 kg		
DYNAMIC LOAD:	3052 kg		
STATIC LOAD:	6104 kg		
RACKING LOAD:	3052 kg		
FOLDING RATIO	1:4		
STANDARD COLORS:	ZINC GRAY	20 GP:	80 units
MATERIAL:	GALVANIZED STEEL	40 GP:	160 units
WORKING TEMPERATURE:	-25+60°C	40 HC:	160 units
STANDARD TRAILER:	192 units	MEGA TRAILER:	192 units

**DISCLAIMER:** Capacity is dependent on the application and environment of use.  
 The suitability of application is to be consulted with Unipas.  
 Specifications subject to change without further notice.  
 All dimensions approximate.

