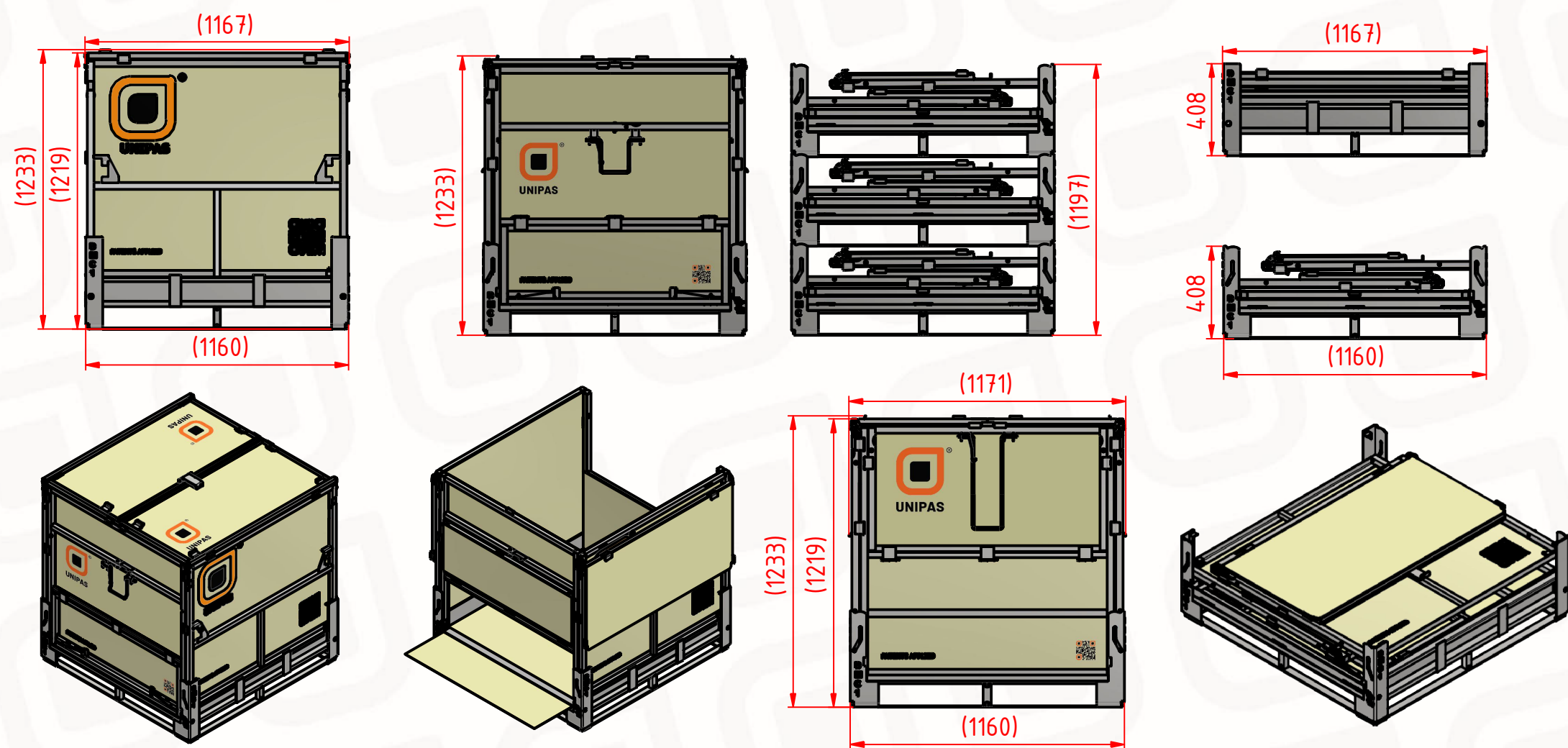
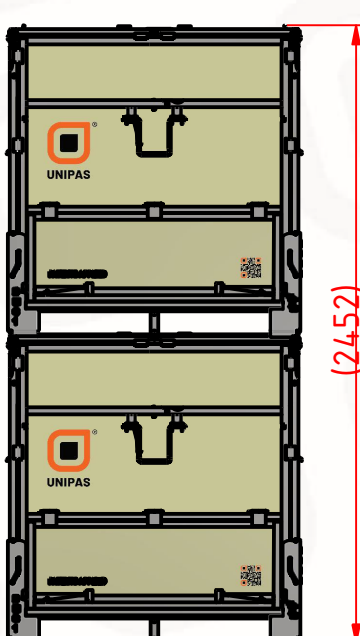
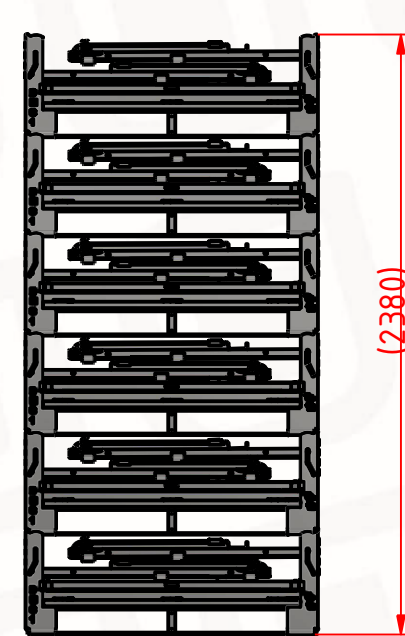


DMC 1

TECHNICAL SPECIFICATION SHEET:



DESCRIPTION:		FOLDABLE GALVANIZED STEEL IBC WITH POLYPROPYLENE FOR DRY PRODUCTS	
EXTERNAL DIMENSIONS:	(W1160xL1160xH1219mm)	MAX DYNAMIC FULL LOAD UNITS 2PCS	MAX DYNAMIC FOLDED UNITS 6PCS
INTERNAL DIMENSIONS:	(W1074xL1074xH1058mm)	WEIGHT: 3088 kg	HEIGHT: 2380 mm
FOLDING HEIGHT:	(408 mm)	MAX STATIC FULL LOAD UNITS 5PCS	MAX STATIC FOLDED UNITS 12PCS
LID STACKING HEIGHT:	(1219mm) / (1233mm)	WEIGHT: 7720 kg	HEIGHT: 4749 mm
EMPTY WEIGHT:	144 kg		
VOLUME:	1220 L		
LOAD CAPACITY:	1400 kg		
DYNAMIC LOAD:	3088 kg		
STATIC LOAD:	7720 kg		
RACKING LOAD:	3088 kg		
FOLDING RATIO	1:3		
STANDARD COLORS:	ZINC GRAY/GRAY	20 GP:	50 units
MATERIAL:	GALVANIZED STEEL+POLYPROPYLENE	40 GP:	100 units
WORKING TEMPERATURE:	-25+60°C	40 HC:	120 units
STANDARD TRAILER:	132 units	MEGA TRAILER:	154 units

DISCLAIMER: Capacity is dependent on the application and environment of use.
 The suitability of application is to be consulted with Unipas.
 Specifications subject to change without further notice.
 All dimensions approximate.

