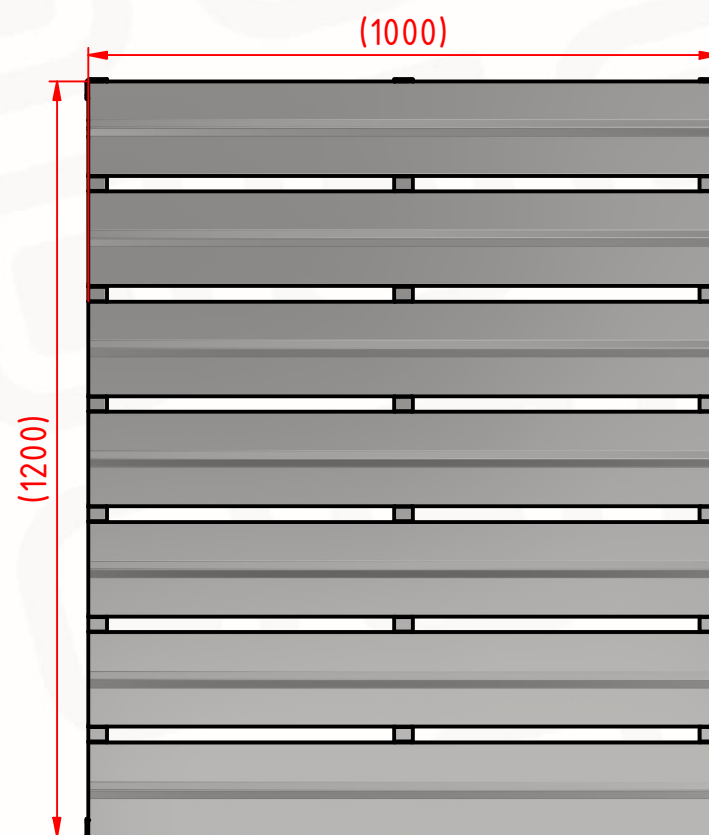
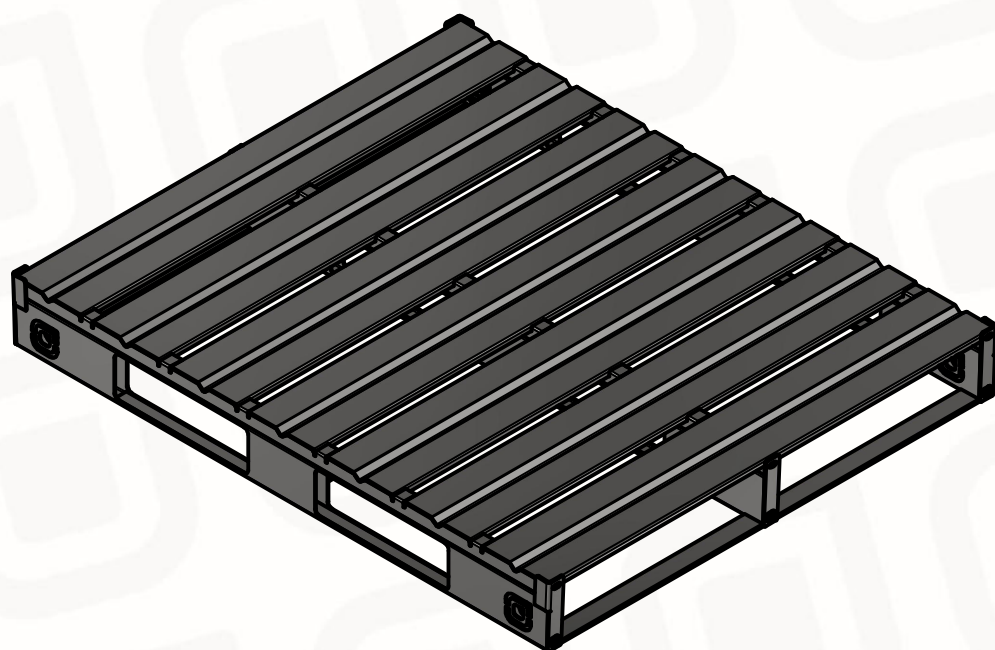
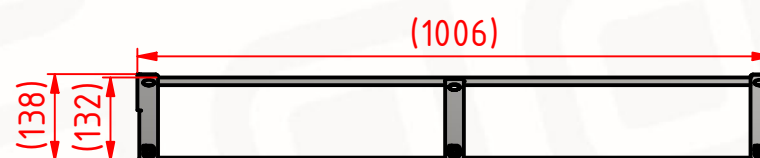
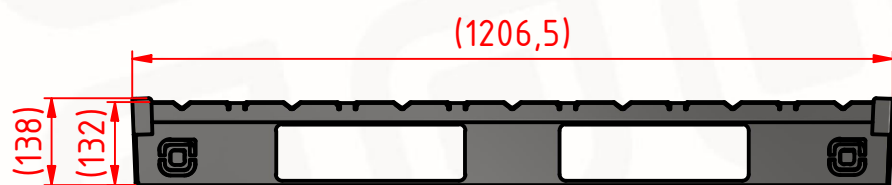


TECHNICAL SPECIFICATION SHEET:
UNIPAS - S PALLET - GB


DESCRIPTION:		Pallet made of S 235 structural steel, welded, hot dip galvanized
EXTERNAL DIMENSIONS:	(W1000xL1200xH132mm)	KEY FEATURES:
EMPTY WEIGHT:	43,5 kg	-4-WAY ENTRY DESIGN,HIGH LOAD CAPACITY
DYNAMIC LOAD:	2500 kg *	-GREAT STABILITY AND STACKABILITY-CORNER STOPS
STATIC LOAD:	6500 kg *	-RESILIENCE AND ROBUSTNESS-EXTRA DURABLE
STANDARD COLOR:	UNIFORM SOFT GRAY	-100% RESISTANCE TO CORROSION AND ATMOSPHERIC AGENTS
MATERIAL:	S 235 STEEL,HOT DIP GALVANIZED	-EASY TO STERILIZE-NO MOLDS,NO VERMIN,NO CONTAMINATION
WORKING TEMPERATURE:	-40+80°C	-FULL FIRE RESISTANCE
STANDARD TRAILER:	546 units	-FULL RECYCLABILITY
MEGA TRAILER:	572 units	FIELDS OF APPLICATION:
20 GP:	170 units	CHEMICAL INDUSTRY- HARSH ENVIRONMENTS AND SAFE USE IN CHEMICAL PRODUCTION & STORAGE
40 GP:	357 units	FOOD TRANSPORT AND HANDLING- EASY TO CLEAN AND STERILIZE,NO CONTAMINATION
40 HC:	416 units	HEAVY CONSTRUCTS- EXCELLENT FOR LARGE AND HEAVY ITEMS
		LONG-TERM OUTDOOR STORAGE- WEATER RESISTANCE,NO DEGRADATION

DISCLAIMER:

*** Subjected to internal Unipas statical and dynamical testing.
The suitability of application is to be consulted with Unipas.
Specifications subject to change without further notice.
All dimensions approximate.**

